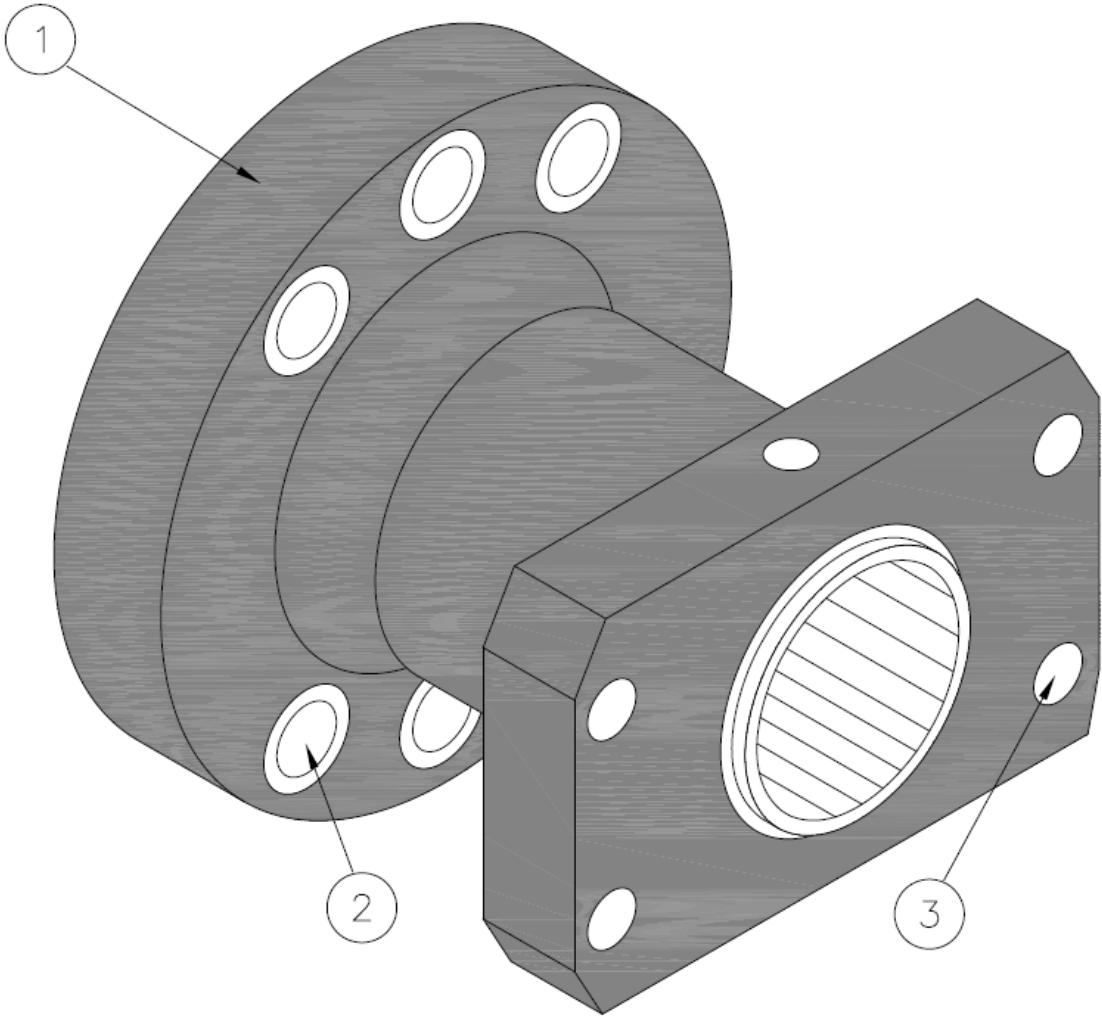


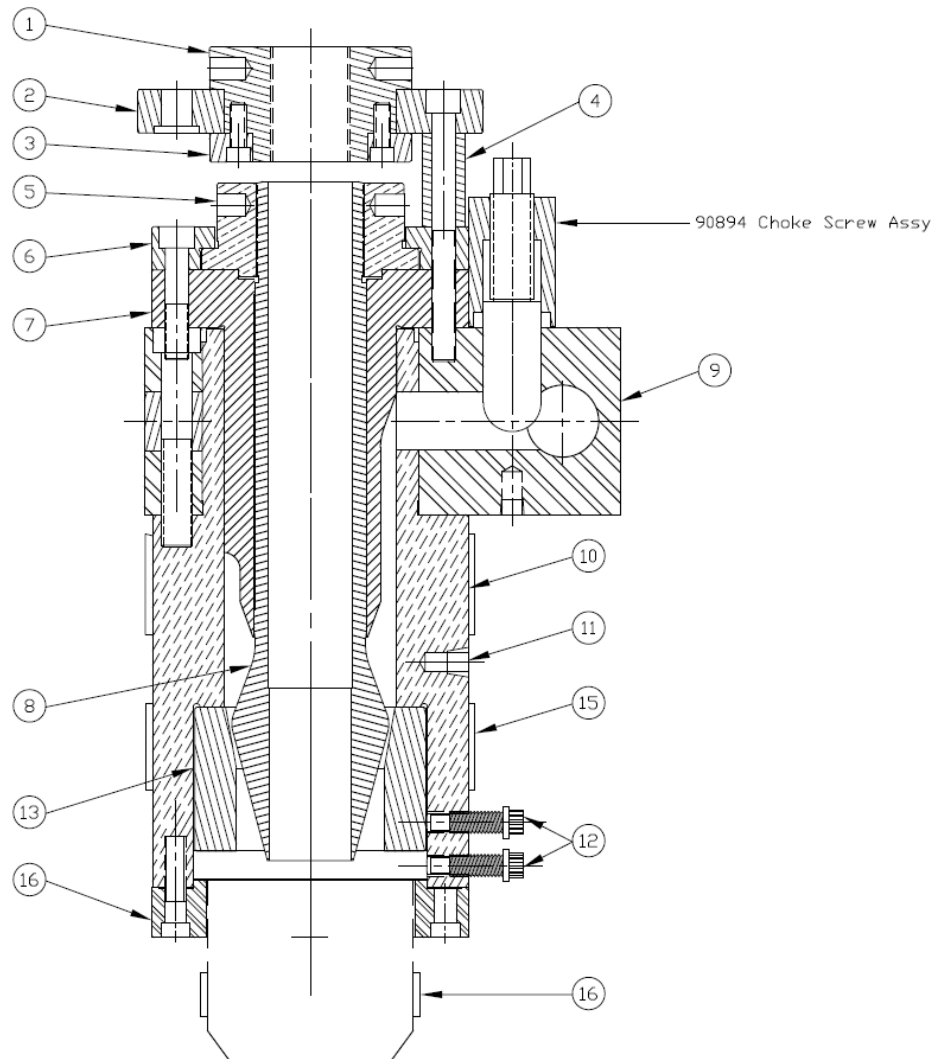
### Nozzle, -1 Type Head, Standard

Item	Adrian	OEM	Description	Qty.
1	662508	116095	Nozzle	1
2	90434	*****	3/4 – 10 x 2 3/4 LG SHCS / Barrel	6
3	90433	*****	5/8 – 11 x 2 1/2 LG SHCS / Manifold	4



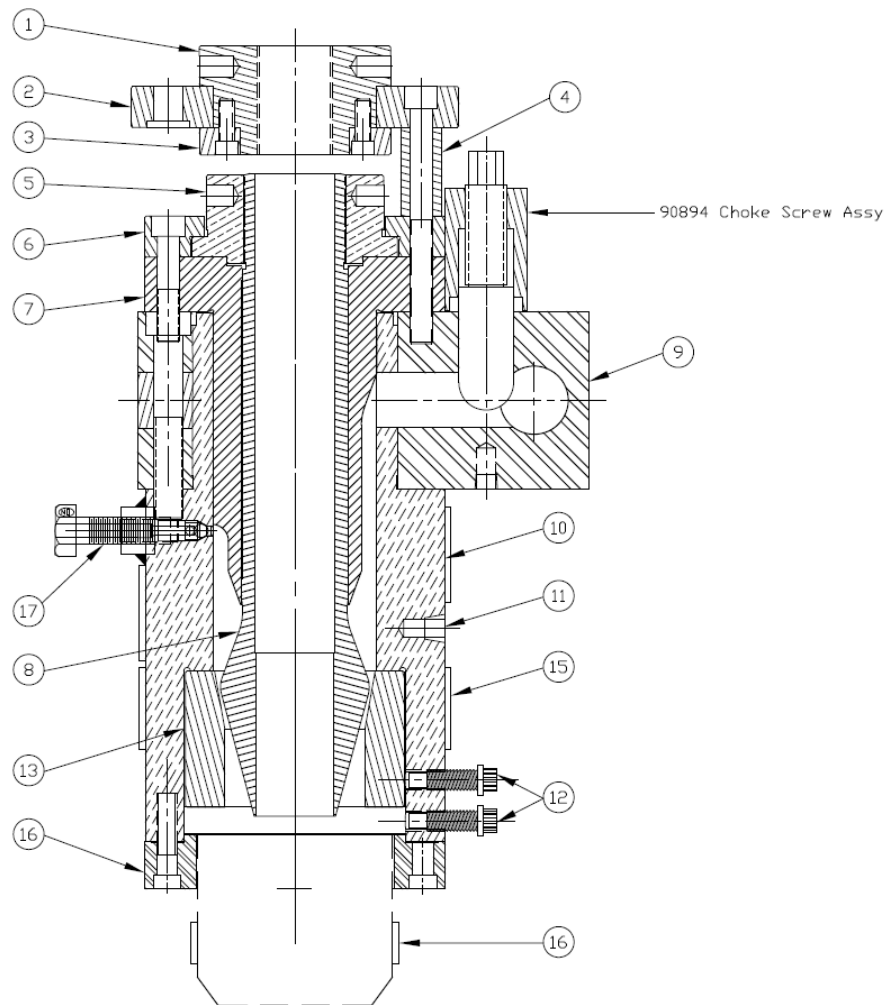
## -1 Style Die Head Assembly

Item	Adrian	OEM	Description	Qty.
1	413799	832477	Mandrel Adjusting Nut	1
2	413795	832470	Retaining Plate, Mandrel Adjusting Nut	1
3	413796	832471	Retaining Ring, Mandrel Adjusting Nut	1
4	439170	827349	Spacer	2
5	413793	832472	Mandrel Adjusting Nut	1
6	413791	832473	Adjusting Nut Retainer Plate	1
7	413797	832474	Upper Mandrel Sleeve	1
8	413798	832475	Lower Mandrel Sleeve	1
9	TBD	*****	Die Block to be Determined by Head Configuration	1
10	477207	844694	Aluminum Seal Ring	1
11	413794	832478	Feed Throat	1
12	492134	876328	3/8 – 16 x 1 1/4 FHCS	8
13	413792	832476	Adjusting Ring (Pressure Ring)	1
14	432539	826027	Clamp Ring (Die Retainer Ring)	1
15	91064	*****	Feed Throat Heater Band, 5.5" ID x 2" w/ 24" Lead	2
16	90968	*****	Die Tip Heater Band, 3.5" ID x 1" w/ 24" Lead	1



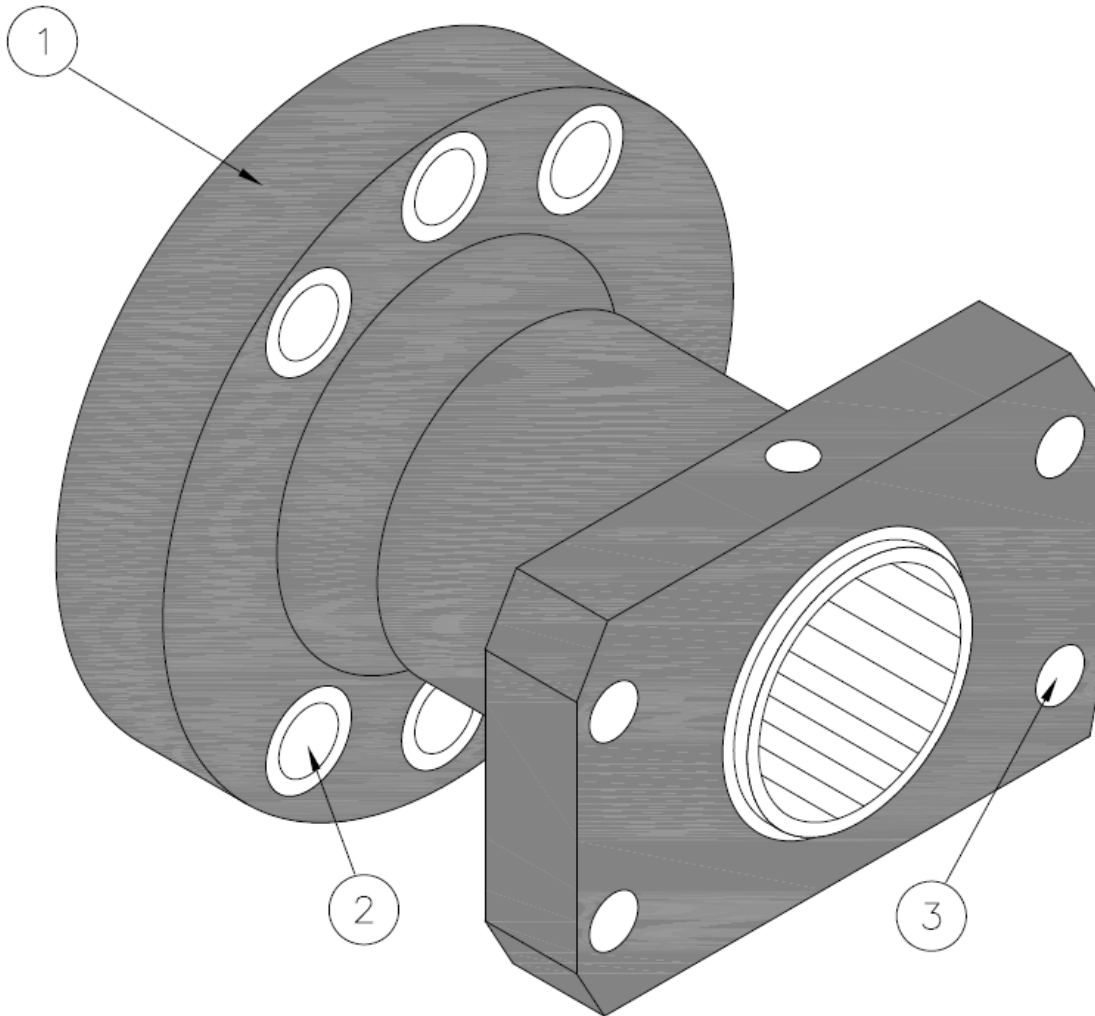
## -1 Style Die Head Assembly with Bleed Port

Item	Adrian	OEM	Description	Qty.
1	413799	832477	Mandrel Adjusting Nut	1
2	413795	832470	Retaining Plate, Mandrel Adjusting Nut	1
3	413796	832471	Retaining Ring, Mandrel Adjusting Nut	1
4	439170	827349	Spacer	2
5	413793	832472	Mandrel Adjusting Nut	1
6	413791	832473	Adjusting Nut Retainer Plate	1
7	413797	832474	Upper Mandrel Sleeve	1
8	413798	832475	Lower Mandrel Sleeve	1
9	TBD	*****	Die Block to be Determined by Head Configuration	1
10	477207	844694	Aluminum Seal Ring	1
11	449151	887303	Feed Throat	1
12	492134	876328	3/8 – 16 x 1 1/4 FHCS	8
13	413792	832476	Adjusting Ring (Pressure Ring)	1
14	432539	826027	Clamp Ring (Die Retainer Ring)	1
15	91064	*****	Feed Throat Heater Band, 5.5" ID x 2" w/ 24" Lead	2
16	90968	*****	Die Tip Heater Band, 3.5" ID x 1" w/ 24" Lead	1
17	90231	*****	Bleed Screw	1



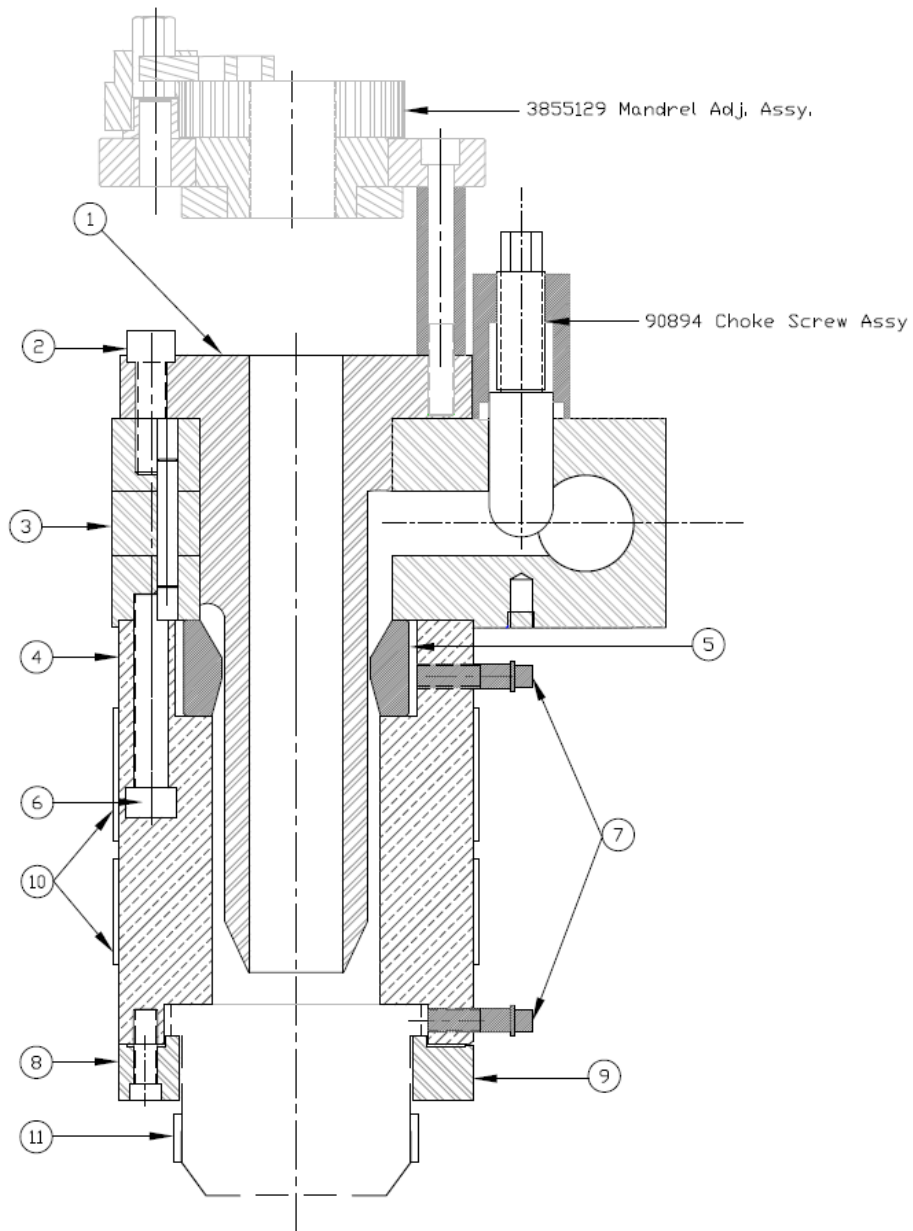
## Nozzle, -4 Type Head, Standard

Item	Adrian	OEM	Description	Qty.
1	472019	846937	Nozzle	1
2	90434	*****	3/4 - 10 x 2 3/4 LG SHCS / Barrel	6
3	90433	*****	5/8 - 11 x 2 1/2 LG SHCS / Manifold	4



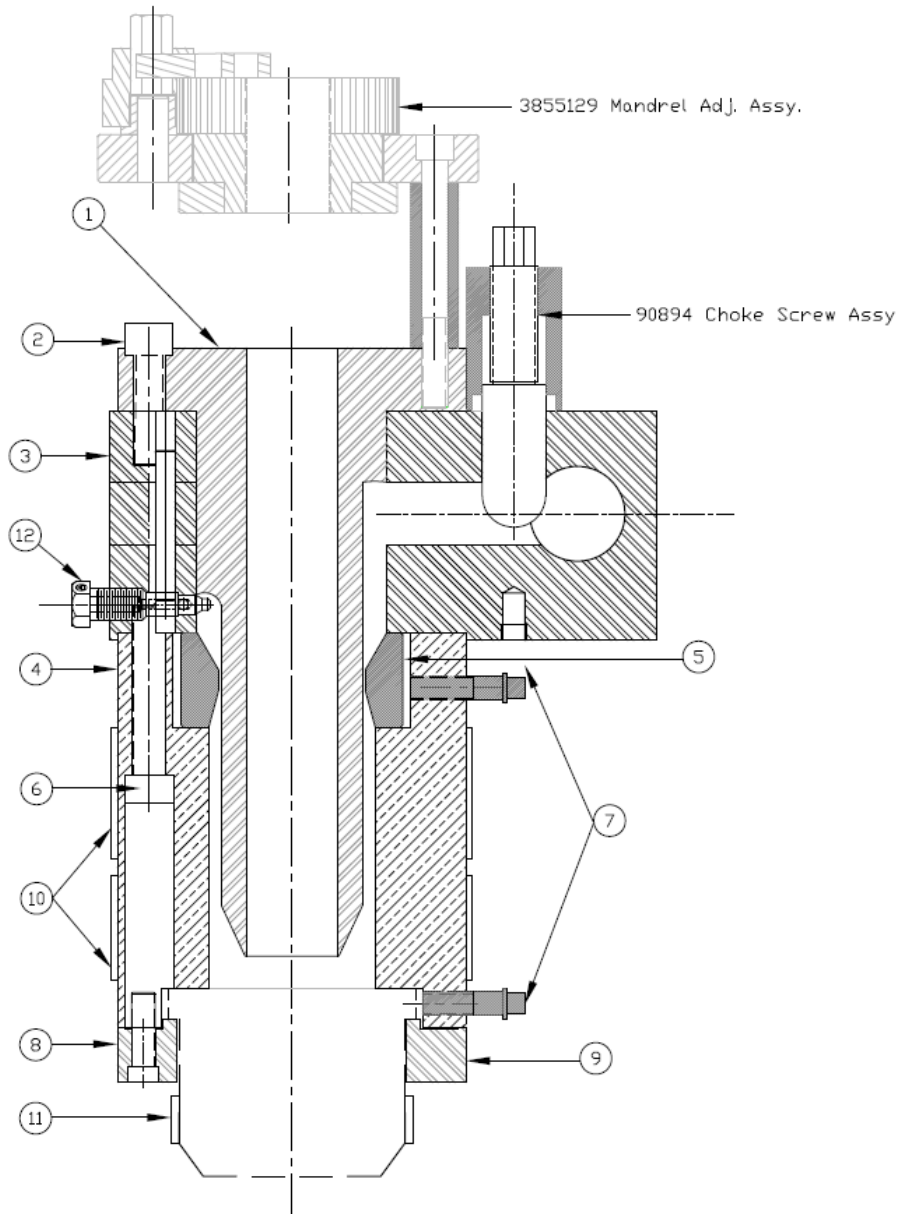
## -4 Style Die Head Assembly

Item	Adrian	OEM	Description	Qty / Cavity
1	492583	876052	Mandrel Sleeve with Bronze Tip (Diverter)	1
2	360551	219003	1/2 – 13 x 1 1/2 SHCS	6
3	*****	*****	Die Block to be determined by Head Configuration	1
4	479569	847017	Feed Throat	1
5	479564	847018	Adjusting Ring (Pressure Ring)	1
6	360553	219002	1/2 – 13 x 3 1/2 SHCS	6
7	492134	876328	Parison Bolts (Ferry Cap Screw with 1/2 Dog Point)	8
8	432539	826027	Clamp Ring (Die Retainer Ring)	1
9	362551	216003	3/8 – 16 x 1 SHCS	6
10	91064	*****	Feed Throat Heater Band, 5.5" ID x 2" w/ 24" Lead	2
11	90968	*****	Die Tip Heater, 3.5" ID x 1" w/ 24" Lead	1



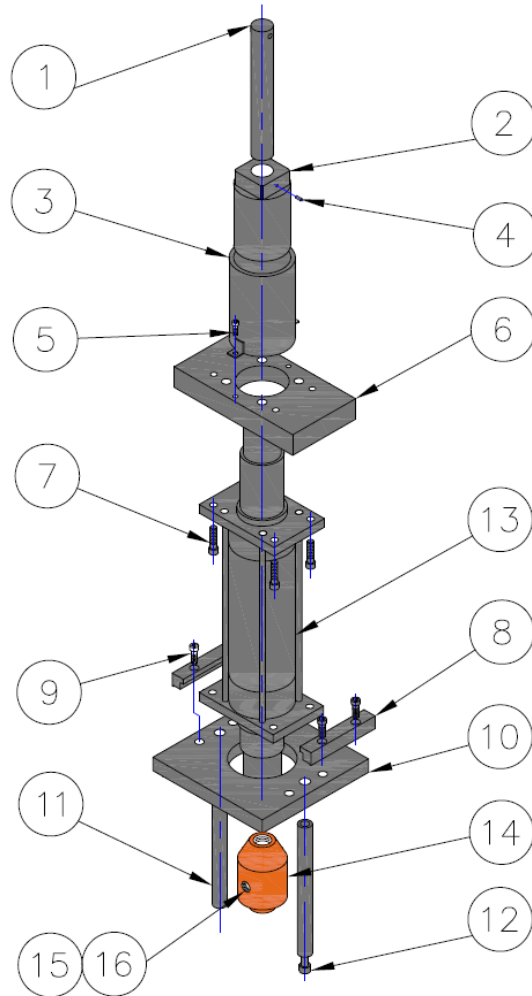
### -4 Style Die Head Assembly with Bleed Port

Item	Adrian	OEM	Description	Qty / Cavity
1	492583	876052	Mandrel Sleeve with Bronze Tip (Diverter)	1
2	360551	219003	1/2 – 13 x 1 1/2 SHCS	6
3	*****	*****	Die Block to be determined by Head Configuration	1
4	442044	886988	Feed Throat	1
5	479564	847018	Adjusting Ring (Pressure Ring)	1
6	360553	219002	1/2 – 13 x 3 1/2 SHCS	6
7	492134	876328	Parison Bolts (Ferry Cap Screw with 1/2 Dog Point)	8
8	432539	826027	Clamp Ring (Die Retainer Ring)	1
9	362551	216003	3/8 – 16 x 1 SHCS	6
10	91064	*****	Feed Throat Heater Band, 5.5" ID x 2" w/ 24" Lead	2
11	90968	*****	Die Tip Heater, 3.5" ID x 1" w/ 24" Lead	1
12	90231	*****	Bleed Screw	1



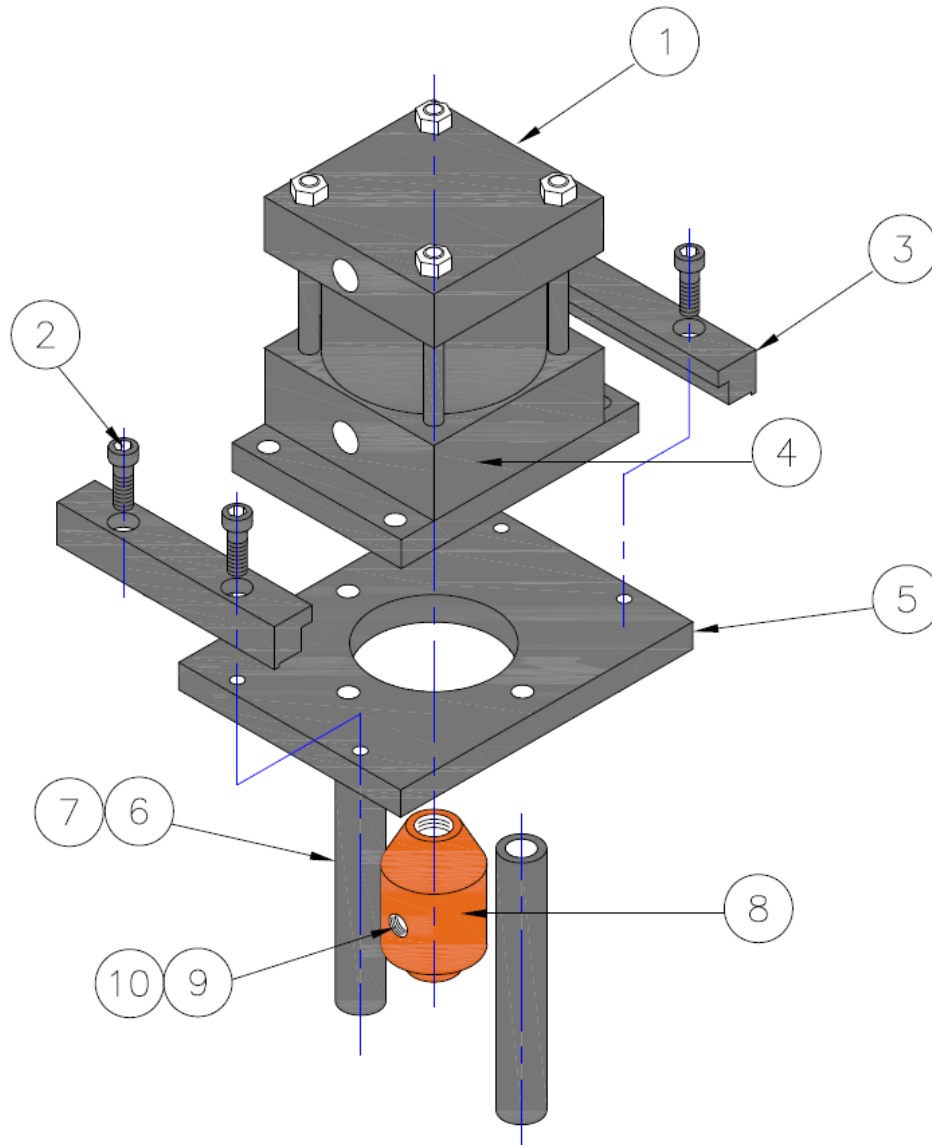
## Pre-finish, Pull-up – Double Ended Cylinder / Non-Programmed

Item	Adrian	OEM	Description	Qty.
1	441662	883116	Rod Extension	1
2	651021	103963	Nut	1
3	447541	884083	Guard, BP Adjustment	1
4	90329	*****	1/4 – 28 x 1/2 SHSS	2
5	378536	245021	1/4 – 20 x 1/2 BHCS	2
6	441445	883880	Mounting Plate, Cylinder	1
7	362552	216006	3/8 – 16 X 1 1/4 SHCS	4
8	413722	832466	Clamp, Pre-finish	2
9	362552	216006	3/8 – 16 X 1 1/4 SHCS	4
10	413727	832464	Mounting Plate, Cylinder	1
11	413728	832465	Spacer, Pre-finish	2
12	360562	219016	1/2 – 13 x 7 SHCS	2
13	449150	887309	Double Ended Cylinder	1
14	413729	832467	Air Adapter	1
15	3935557	2720004	5/16 Diameter x 1/4 LG Brass Plug, Rod	2
16	355527	200064	3/8 – 16 x 3/8 Set Screw, Socket	2



## Pre-finish, Pull-up – Single Ended Cylinder / Non-Programmed

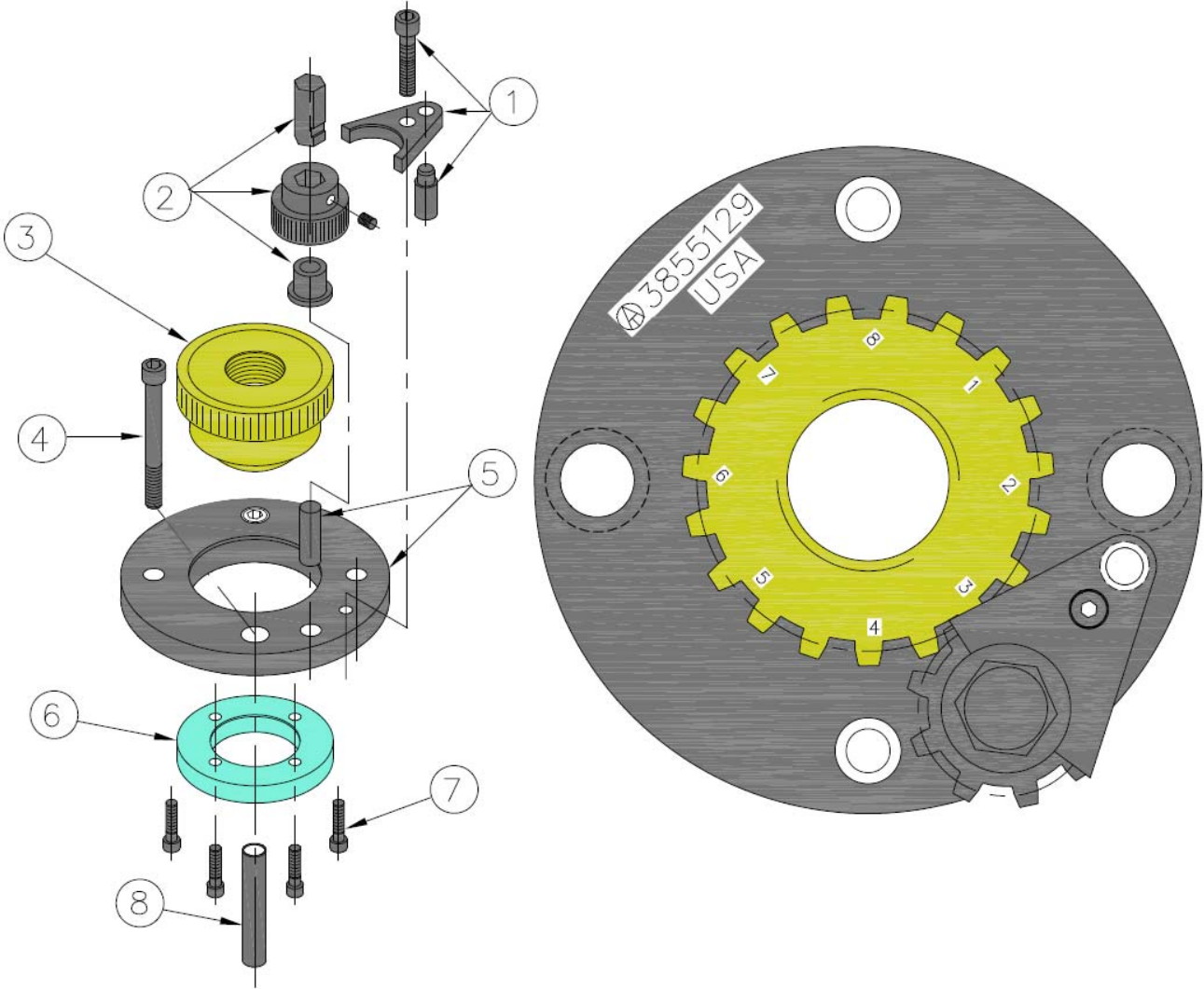
Item	Adrian	OEM	Description	Qty.
1	635551	1200003	Blow Pin Cylinder, 4" Bore x 1" Stroke	1
2	362552	216006	3/8 – 16 x 1 1/4 SCHS	4
3	413722	832466	Clamp, Cylinder	2
4	411531	833023	1/4" Spacer to Limit Stroke (Not Shown)	1
5	413727	832464	Mounting Plate, Cylinder	1
6	413728	832465	Spacer	2
7	360562	219016	1/2 – 13 x 7 SHCS	2
8	413729	832467	Air Adapter, 1/2 – 20 Thread	1
9	393557	2720004	5/16 Diameter x 1/4 LG Brass Plug, Rod	2
10	355527	200064	3/8 – 16 x 3/8 Set Screw, Socket	2





### Mandrel Adjustment Assembly – Assembly No. 3855129

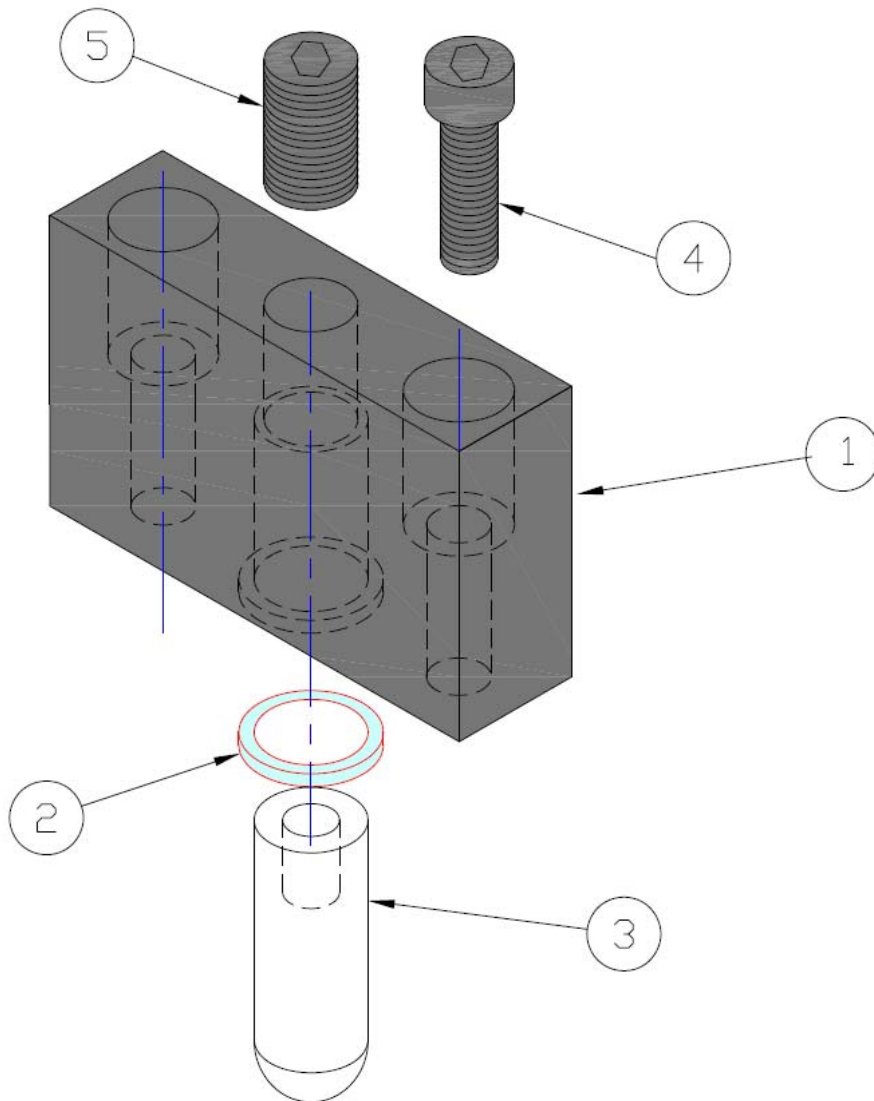
Item	Adrian	OEM	Description	Qty.
1	88357	55204	Lock Assembly, Mandrel Adjusting Nut	1
2	88351	55203	Gear - Small 19T, Mandrel Adjusting Nut	1
3	88367	55214	Nut & Gear - Bronze, Mandrel 1 3/8" - 16	1
4	362567	216014	3/8 – 16 x 3 1/2 SHCS (Not Shown)	2
5	88359	55207	Body, Mandrel Adjusting Nut	1
6	88354	55208	Ring - Retainer, Mandrel Adjusting Nut	1
7	323553	212002	1/4 - 20 x 3/4 LG SHCS	4
8	479533	847022	Spacer	2



**Note:**  
 Ref. OEM Assembly No. 2500367

## Sealed Choke Screw Assembly - Assembly No. 90894

Item	Adrian	OEM	Description	Qty.
1	675938	140725	Choke Screw Plate	1
2	675932	140726	Seal Ring	1
3	675939	140727	1Pc. Choke Screw	1
4	362531	216023	Mounting Bolts, 3/8 – 16 x 2 1/2 SHCS	2
5	355124	*****	3/4-10 Adjusting Screw	1

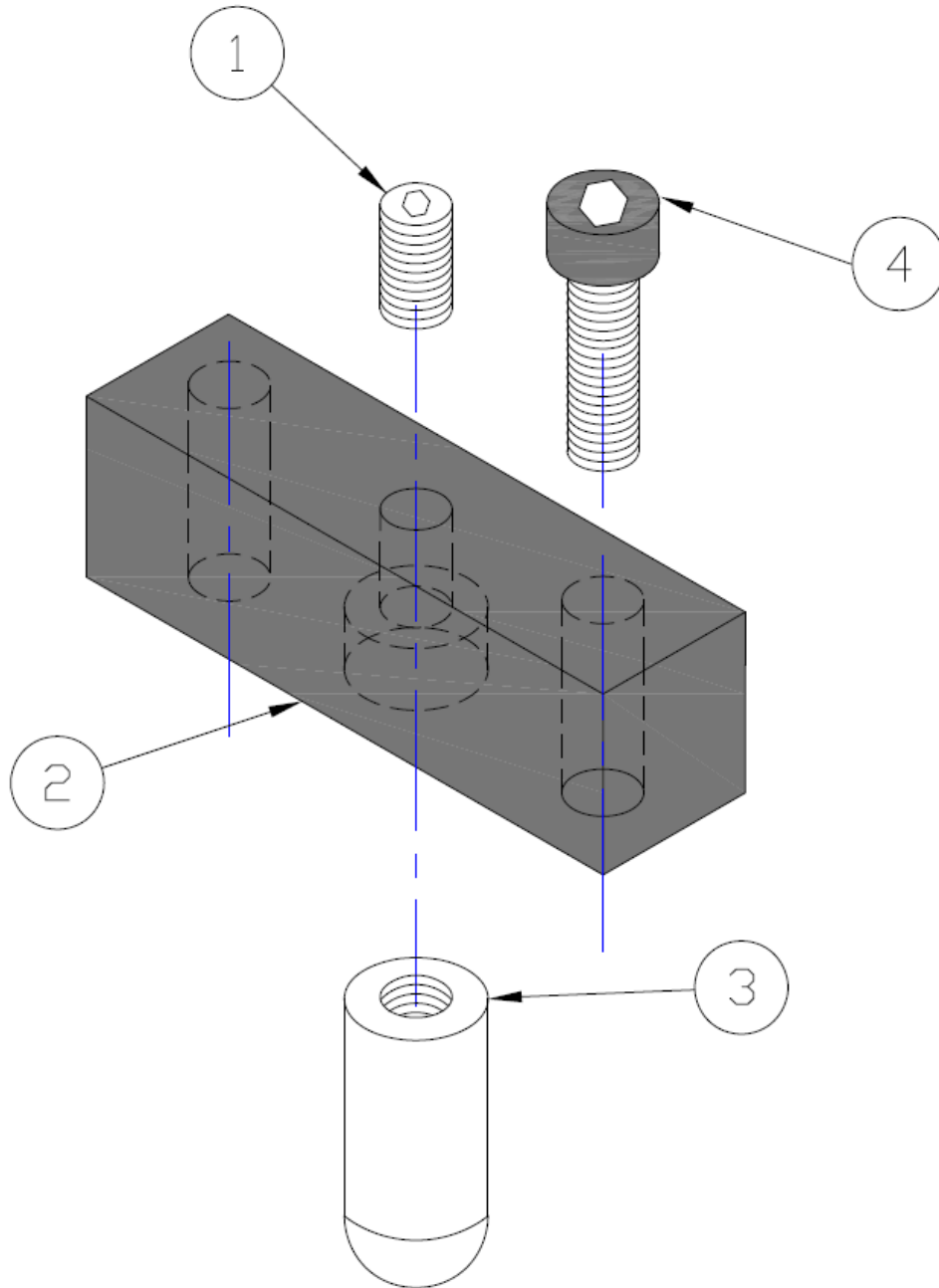


**Note:**

This style will fit a 1" bullet hole

## Standard Choke Screw Assembly

Item	Adrian	OEM	Description	Qty.
1	*****	*****	Adjusting Screw, 3/4 – 10 x 1 1/2 SHSS with Cup Point	1
2	413369	832217	Choke Screw Plate	1
3	413362	832216	Choke Screw	1
4	*****	*****	Mounting Bolts, 3/8 – 16 x 1 1/4 SHCS	2



**Note:**

This style will fit both -1 and -4 Style Heads

## Stripper Assembly

Item	Adrian	OEM	Description	Qty.
1	633553	1220002	Air Cylinder, 1 1/2 Bore	1
2	138532	325026	Jam Nut Hex, 5/8 – 18	1
3	367533	214022	5/16 – 18 x 2 1/4 SHCS	4
4	439712	827436	Guide Rod	2
5	225556	660001	Ball Bushing	4
6	439771	827443	Mounting Bracket	1
7	439714	827438	Limit Switch Cam	2
8	442584	886058	Limit Switch Rod	1
9	439773	827442	Limit Switch Plate	1
10	363554	212008	1/4 – 20 x 1/2 SHCS	2
11	1165553	3310002	Limit Switch	1
12	365578	210045	10 – 32 x 1 3/4 SHCS	2
13	115557	330004	Flex-Lock Nut, 5/8 – 18	4
14	TBD	TBD	Carrier	1
15	115553	330002	Self loc Hex Nut, 3/8 – 16	1
16	115551	330003	Self loc Hex Nut, 1/2 – 20	2
17	431498	823875	Strut	2
18	115552	330006	Self loc Hex Nut, 1/4 - 20	2
19	363557	212004	1/4 – 20 x 1 SHCS	2
20	1165566	3310011	Limit Switch Arm (Not Shown)	1

