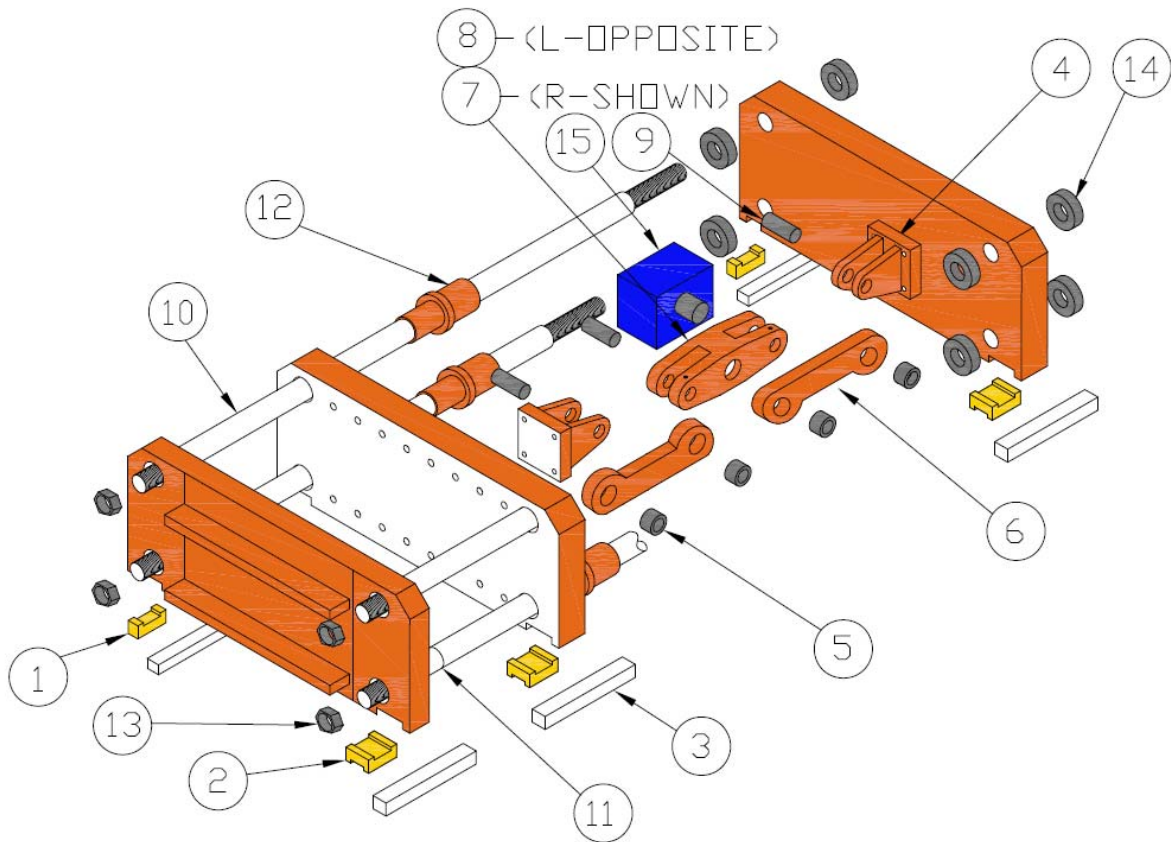


## 15x34 Clamp Single Rotac Clamp Layout

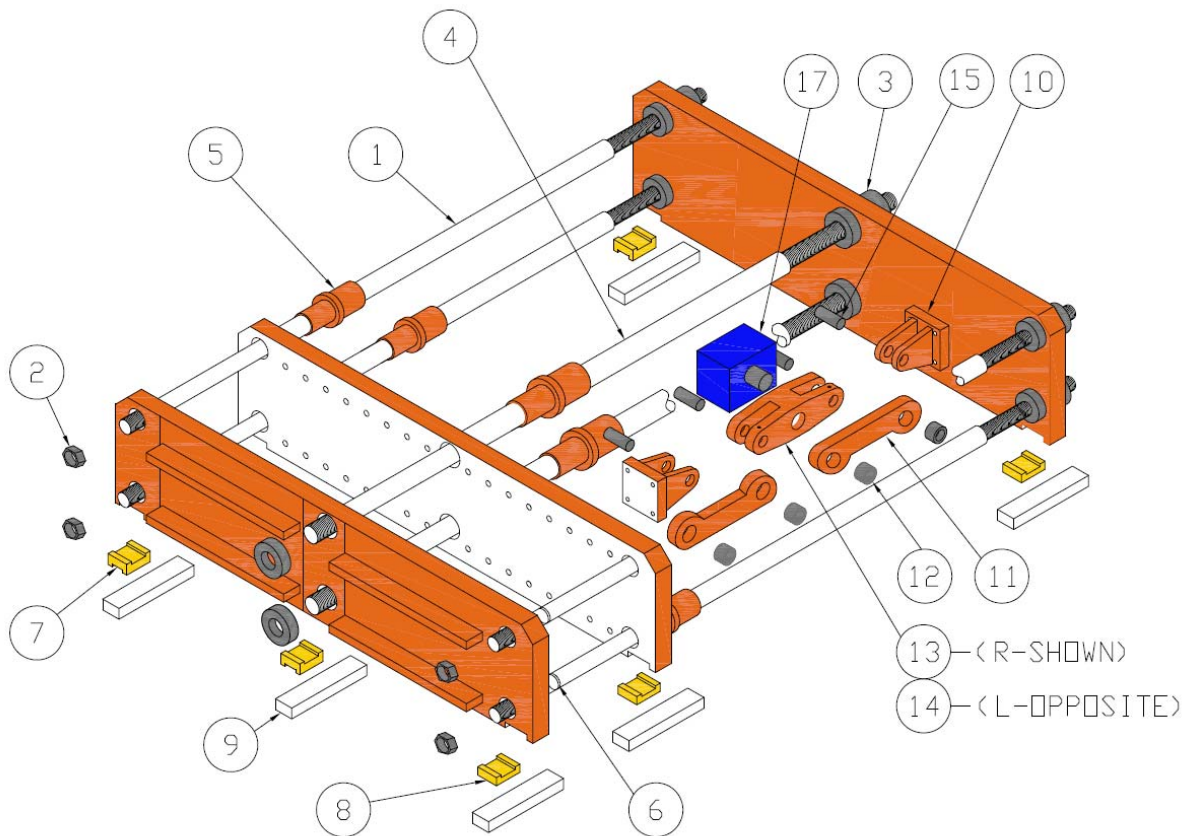
Item	Adrian	OEM	Description	Qty.
1	430707	829494	Platen Shoe	3
2	490778	879445	Platen Shoe, Guided	3
3	431933	823722	Platen Rail	6
4	476326	841261	Clevis	4
5	268532	615026	Toggle Bearing	8
6	476323	841262	Toggle Link	4
7	476380	841259	Rotac Adapter Arm, RH	1
8	476325	841260	Rotac Adapter Arm, LH	1
9	476321	841263	Toggle Pin	8
10	443079	882947	Tie Bar, 2"	4
11	476338	841225	Split Bushing	4
12	416146	831381	Tie Bar Bushing Retainer Assembly, 2"	4
13	135590	320079	Nylock Hex Nut	4
14	443074	882948	Tie Bar Nut, 2" Calibrated Rear Adjusting	8
15	438562	825016	Clamp Rotac, MPJ-63-2V OIL	1
16	PL-90642	*****	Fastener & Grease Fitting Kit (Not Shown)	1
17	91098	*****	Spanner Wrench 2" (Not Shown)	1



**Note: Call for Reconditioned Platens Quote**

## 15x27 Dbl Light Duty Clamp Layout

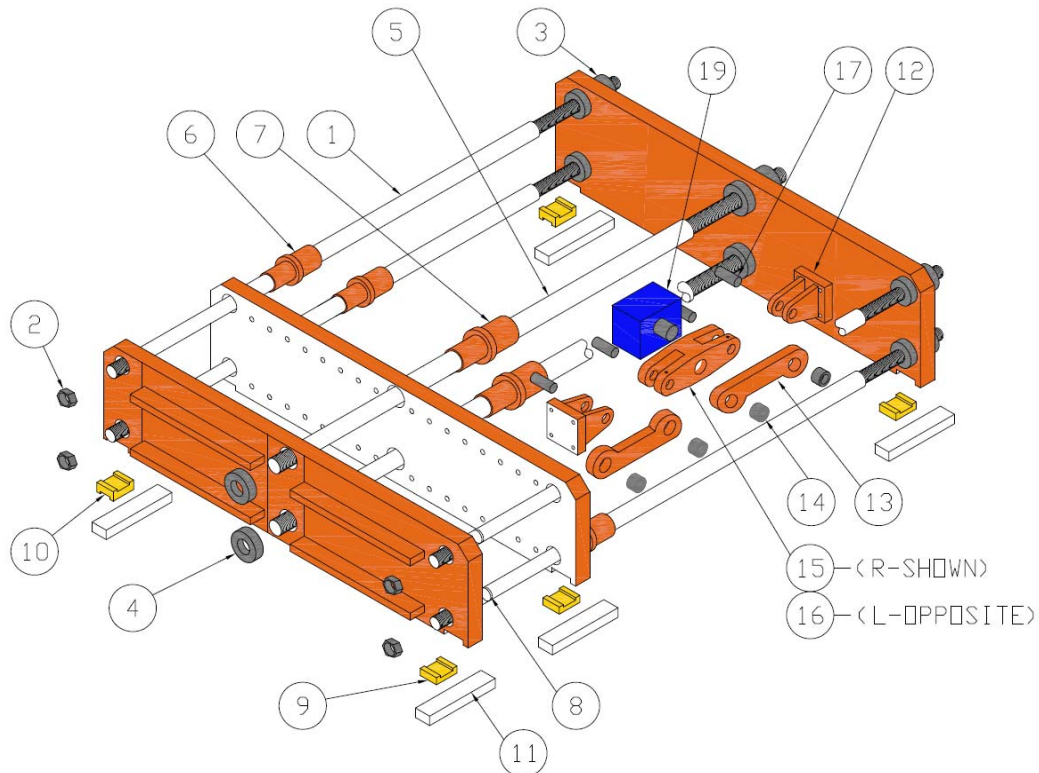
Item	Adrian	OEM	Description	Qty.
1	443079	882947	Tie Bar, 2"	4
2	135590	320079	Nylock Hex Nut	4
3	443074	882948	Tie Bar Nut, 2" Calibrated – Rear Adjusting	14
4	443072	882946	Tie Bar 2" - Center	2
5	416146	831381	Tie Bar Bushing Retainer Assembly, 2"	6
6	476338	841225	Split Bushing	4
7	430707	829494	Platen Shoe	6
8	490778	879445	Platen Shoe, Guided	3
9	431933	823722	Platen Rail	9
10	476326	841261	Clevis	8
11	476323	841262	Toggle Link	8
12	268532	615026	Toggle Bearing	16
13	476380	841259	Rotac Adapter Arm, RH	1
14	476325	841260	Rotac Adapter Arm, LH	1
15	476321	841263	Toggle Pin	16
16	476479	841847	Center Rotac Adapter (Not Shown)	1
17	438562	825016	Clamp Rotac, MPJ-63-2V OIL	2
18	PL-90636	*****	Fastener & Grease Fitting Kit (Not Shown)	1
19	91098	*****	Spanner Wrench 2" (Not Shown)	1



**Note: Call for Reconditioned Platens Quote**

## 15x27 Dbl "Medium" Duty Clamp Layout

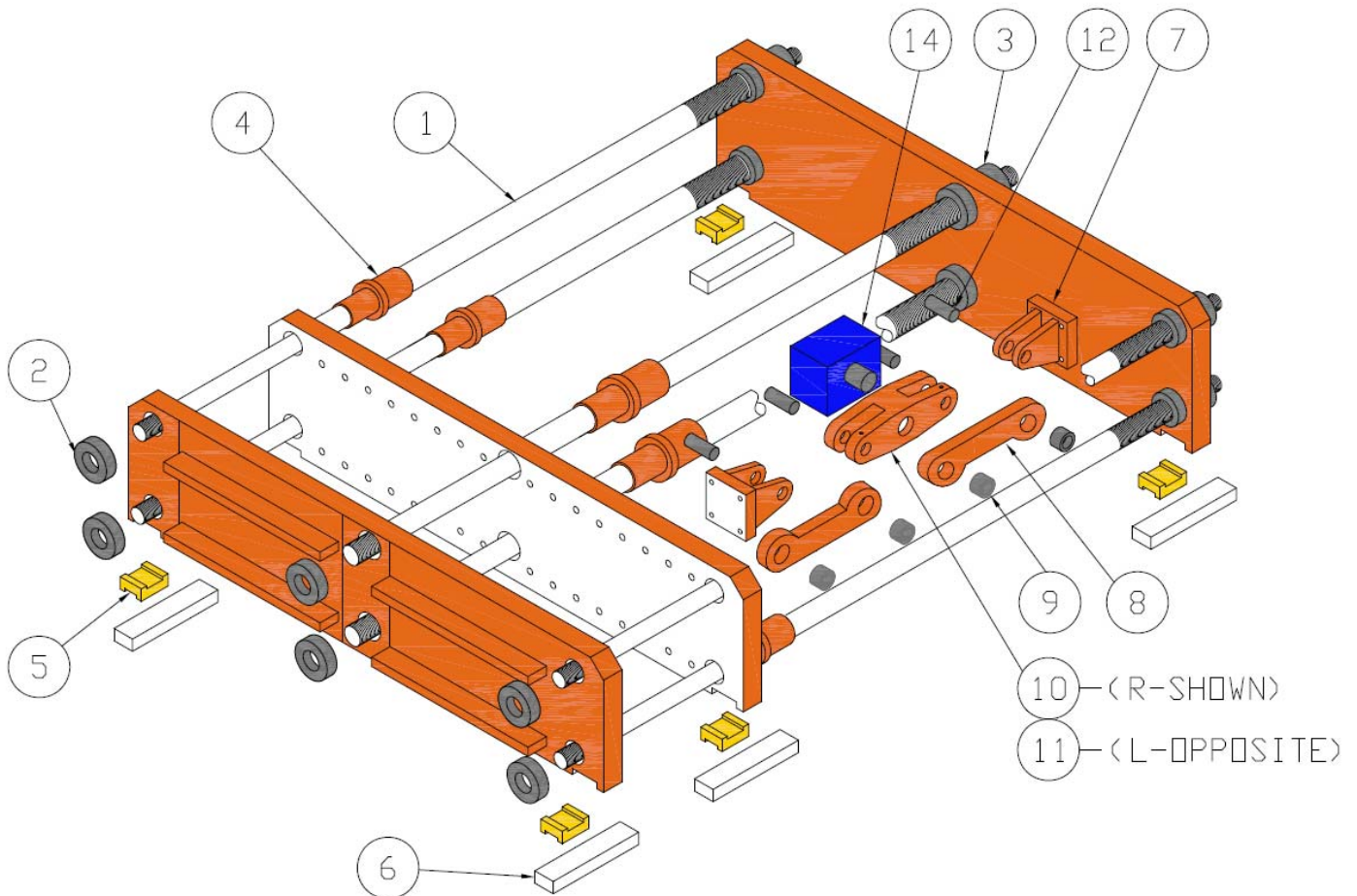
Item	Adrian	OEM	Description	Qty.
1	443079	882947	Tie Bar, 2"	4
2	135590	320079	Nylock Hex Nut	4
3	443074	882948	Tie Bar Nut, 2" Calibrated – Rear Adjusting	8
4	490811	879533	Tie Bar Nut, 2.5" Calibrated – Rear Adjusting	6
5	443078	882945	Tie Bar, 2.5"	2
6	416146	831381	Tie Bar Bushing Retainer Assembly, 2"	4
7	496539	871027	Tie Bar Bushing Retainer Assembly, 2.5"	2
8	476338	841225	Split Bushing	6
9	430707	829494	Platen Shoe	6
10	490778	879445	Platen Shoe, Guided	3
11	431933	823722	Platen Rail	9
12	476326	841261	Clevis	8
13	476323	841262	Toggle Link	8
14	268532	615026	Toggle Bearing	16
15	476380	841259	Rotac Adapter Arm, RH	1
16	476325	841260	Rotac Adapter Arm, LH	1
17	476321	841263	Toggle Pin	16
18	476479	841847	Center Rotac Adapter (Not Shown)	1
19	438562	825016	Clamp Rotac, MPJ-63-2V Oil	2
20	PL-90636	*****	Fastener & Grease Fitting Kit (Not Shown)	1
21	91098	*****	2" Spanner Wrench (Not Shown)	1
22	91068	*****	2.5" Spanner Wrench (Not Shown)	1



**Note: Call for Reconditioned Platens Quote**

## 15x28.5 Dbl Heavy Duty Clamp Layout

Item	Adrian	OEM	Description	Qty.
1	443078	882945	Tie Bar, 2.5"	6
2	448507	885094	Tie Bar Nut with Mounting Holes, 2.5"	4
3	490811	879533	Tie Bar Nut, 2.5" Calibrated Rear Adjusting	14
4	496539	871027	Tie Bar Bushing Retainer Assembly, 2.5"	6
5	496560	871019	Platen Shoe	6
6	494409	878897	Platen Rail	9
7	476326	841261	Clevis	8
8	476323	841262	Toggle Link	8
9	268532	615026	Toggle Bearing	16
10	476380	841259	Rotac Adapter Arm, RH	1
11	476325	841260	Rotac Adapter Arm, LH	1
12	476321	841263	Toggle Pin	16
13	497458	874805	Center Rotac Adapter (Not Shown)	1
14	438562	825016	Clamp Rotac, MPJ-63-2V Oil	2
15	PL-90640	*****	Fastener & Grease Fitting Kit (Not Shown)	1
16	91068	*****	Spanner Wrench 2.5" (Not Shown)	1

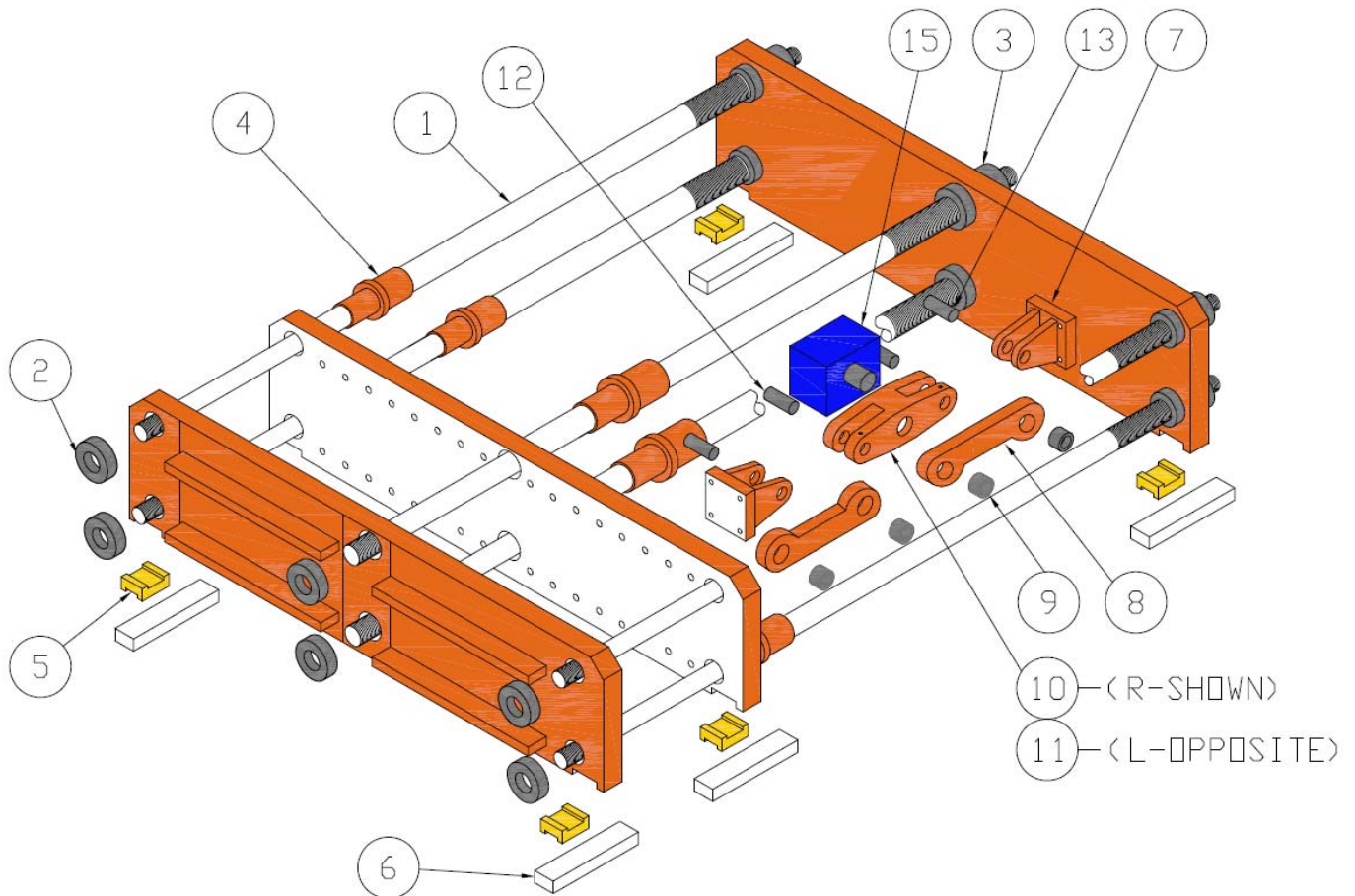


**Note: Call for Reconditioned Platens Quote**



## 15x28.5 Dbl Heavy Duty Clamp Layout – Heavy Duty Linkage (FFW)

Item	Adrian	OEM	Description	Qty.
1	443078	882945	Tie Bar, 2.5"	6
2	448507	885094	Tie Bar Nut with Mounting Holes, 2.5"	4
3	490811	879533	Tie Bar Nut, 2.5" Calibrated Rear Adjusting	14
4	91017	*****	Sealed Tie Bar Bushing Retainer Assembly, 2.5"	6
5	496560	871019	Platen Shoe	6
6	494409	878897	Platen Rail	6
7	91035	*****	Heavy Duty Clevis (FFW)	8
8	476323	841262	Toggle Link	8
9	268532	615026	Toggle Bearing	16
10	91034	*****	Heavy Duty Rotac Adapter Arm, RH (FFW)	1
11	91033	*****	Heavy Duty Rotac Adapter Arm, LH (FFW)	1
12	91036	*****	Heavy Duty Rotac Adaptor Pin (FFW)	8
13	91037	*****	Heavy Duty Toggle Pin (FFW)	8
14	497458	874805	Center Rotac Adapter (Not Shown)	1
15	438562	825016	Clamp Rotac, MPJ-63-2V OIL	2
16	PL-90640	*****	Fastener & Grease Fitting Kit (Not Shown)	1
17	91068	*****	Spanner Wrench 2.5" (Not Shown)	1



**Note: Call for Reconditioned Platens Quote**

### 3pc Center Rotac Adapter Assembly

Item	Adrian	Description	Qty.
1	497458-3	LH Arm, Center Adapter	1
2	TBD	Center Shaft	1
3	497458-2	RH Arm, Center Adapter	1
4	795571	Snap Ring	2

Adrian	OEM	Reference
476479	841847	15 x 27 DBL Clamp Assembly
497458	874805	15 x 28.5 Dbl Clamp Assembly
661777	113444	21 x 36.5 Dbl Clamp Assembly
476871	841543	15 x 44 Clamp Assembly (1 Pc. Design Only)

